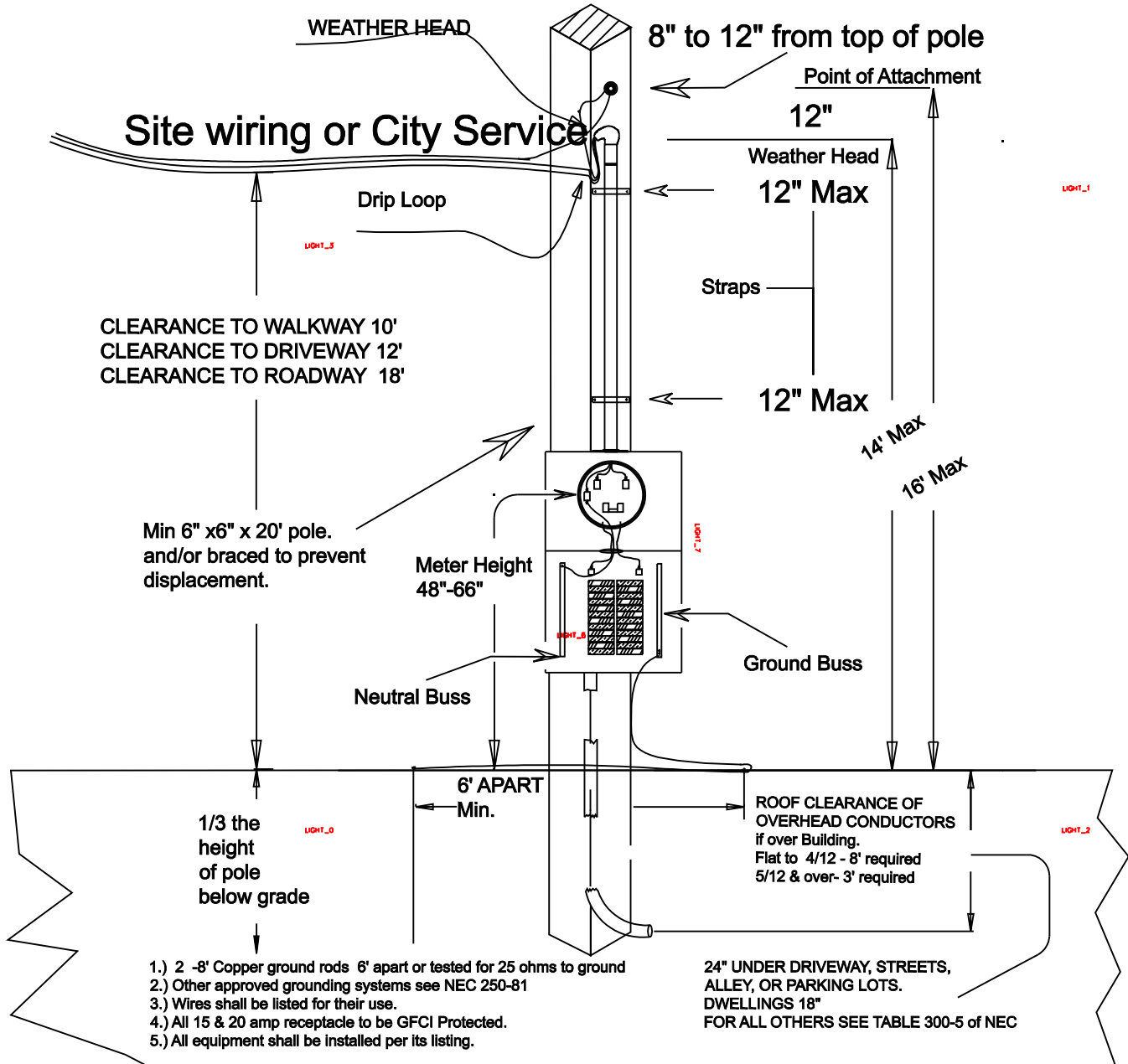


Typical Temporary or Commercial Electrical Service

CALL ELECTRICAL DEPARTMENT FOR PLACEMENT OF NEW SERVICE

(805) 875-8265



SERVICE ENTRY CONDUCTORS					
INSULATION TYPES-RH-RHH-RHW-THHW-THW-THHN-XHHW-USE					
Copper	*Alum	Amp Rating	Copper	*Alum.	
#2	#1	100	#8	#4	
#2	#1/0	110	#8	#4	
#1	#2/0	125	#6	#2	
#1/0	#3/0	150	#6	#1/0	
#3/0	#250	200	#4	#1/0	
					Ground Conductor Size

* Deoxidizer Required

THIS SHEET IS FOR REFERENCE ONLY AND OTHER REQUIREMENTS MAY APPLY.